


 OTIF	ROLLING STOCK FREIGHT WAGONS – ANNEX A			UTP WAG - A Page 1 of 6
Status: PROPOSAL	Version: 01	Ref.: A 94-02A/2.2011	Original: EN	Date: 11.07.2011

APTU Uniform Rules (Appendix F to COTIF 1999)

**Uniform Technical Prescriptions (UTP) applicable to
Rolling Stock, subsystem**

FREIGHT WAGONS - (UTP WAG) - ANNEX A

STRUCTURES AND MECHANICAL PARTS

 OTIF	ROLLING STOCK FREIGHT WAGONS – ANNEX A		UTP WAG - A Page 2 of 6	
	Status: PROPOSAL	Version: 01	Ref.: A 94-02-A/2.2011	Original: EN

Explanatory note:

The texts of this UTP which appear without columns are identical with corresponding texts of the European Community regulations. Texts which appear in two columns differ; left-hand column contains the UTP regulations, right-hand column shows the text in the corresponding EC regulations. The text in the right hand column is for information only and not part of the OTIF regulations.

OTIF UTP

Corresponding text in EC regulations ¹

EC
ref. ²

STRUCTURES AND MECHANICAL PARTS

A.1 BUFFERS

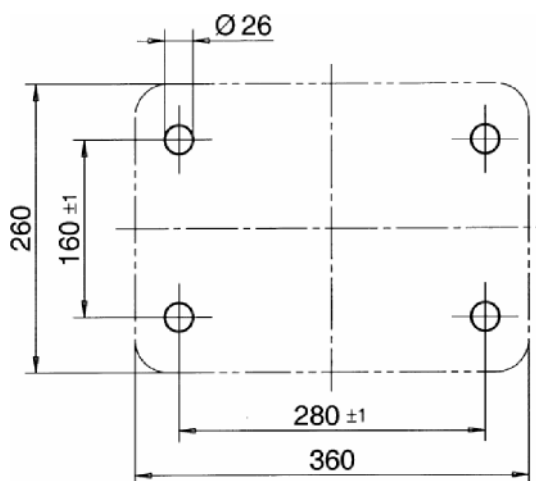


Fig. A1 Buffer supporting plate

¹ TSI Freight Wagons – The Annex to the Commission Decision 2006/861/EC published in the EU Official Journal L344 on 08.12.2006 as amended by Commission Decision 2009/107/EC published in EU Official Journal L45 on 14.02.2009.

² If no EC reference is indicated, it means that the chapter/section number is the same as in the OTIF text.



OTIF UTP

Corresponding text in EC regulations ¹

EC
ref. ²

A.2 DRAW GEAR

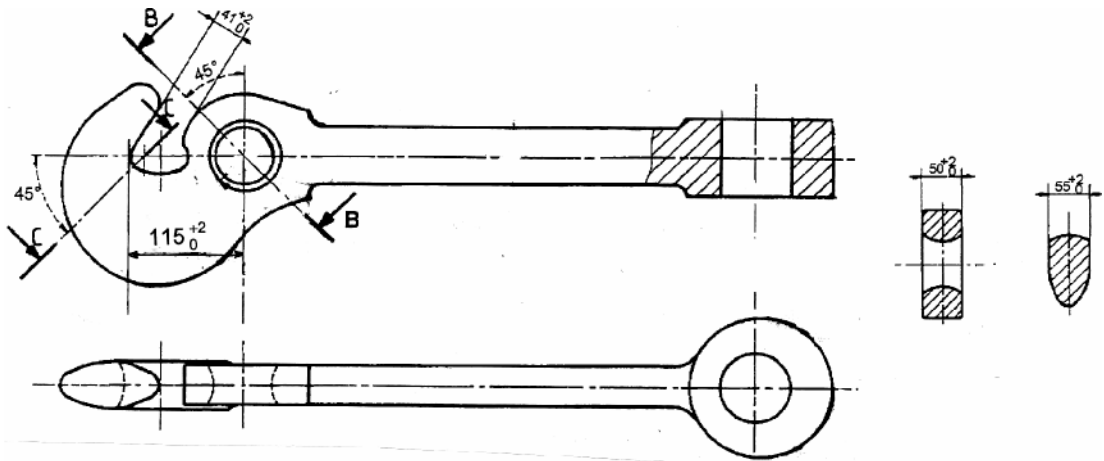


Fig. A2 Draw hook – dimensions

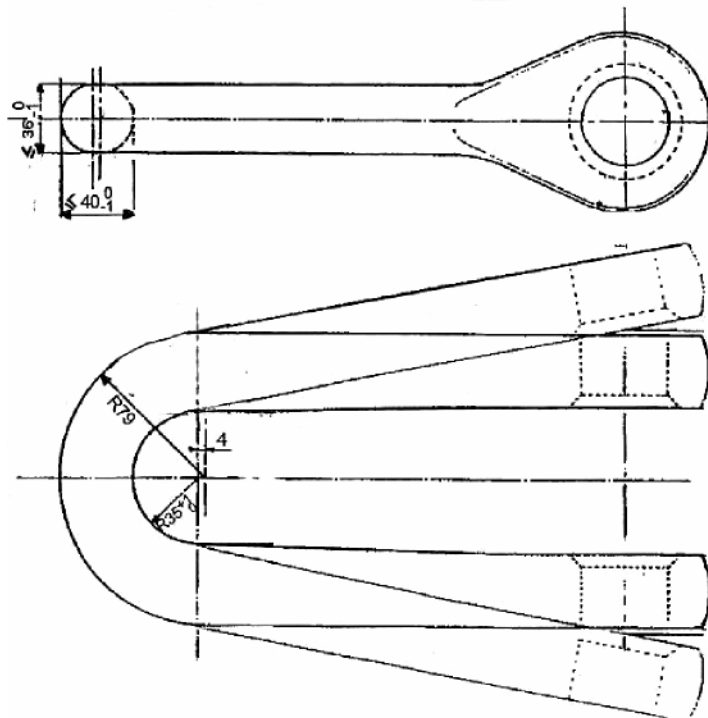


Fig. A3 D-shackle for screw coupler



OTIF UTP

Corresponding text in EC regulations ¹

EC
ref. ²

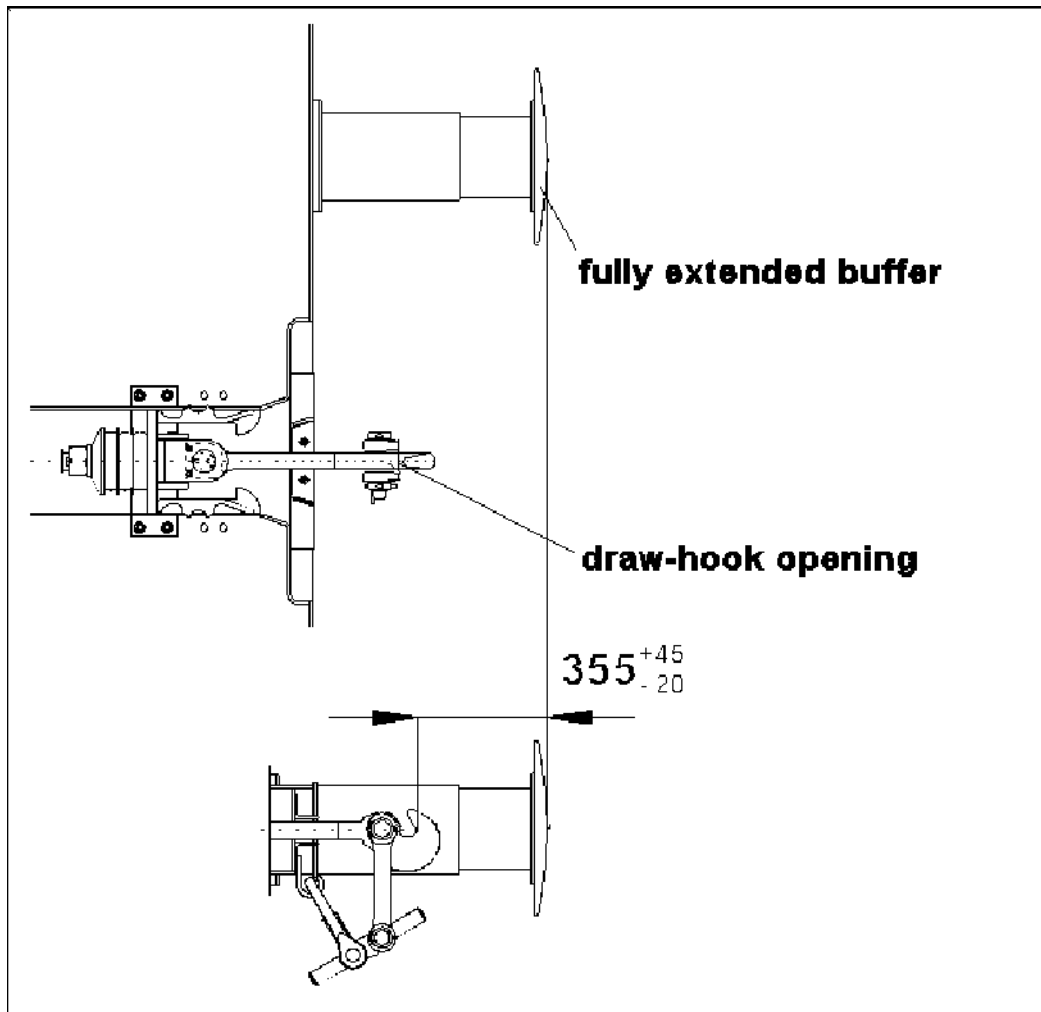


Fig. A4 Draw- and buffing gear



OTIF UTP

Corresponding text in EC regulations ¹

EC
ref. ²

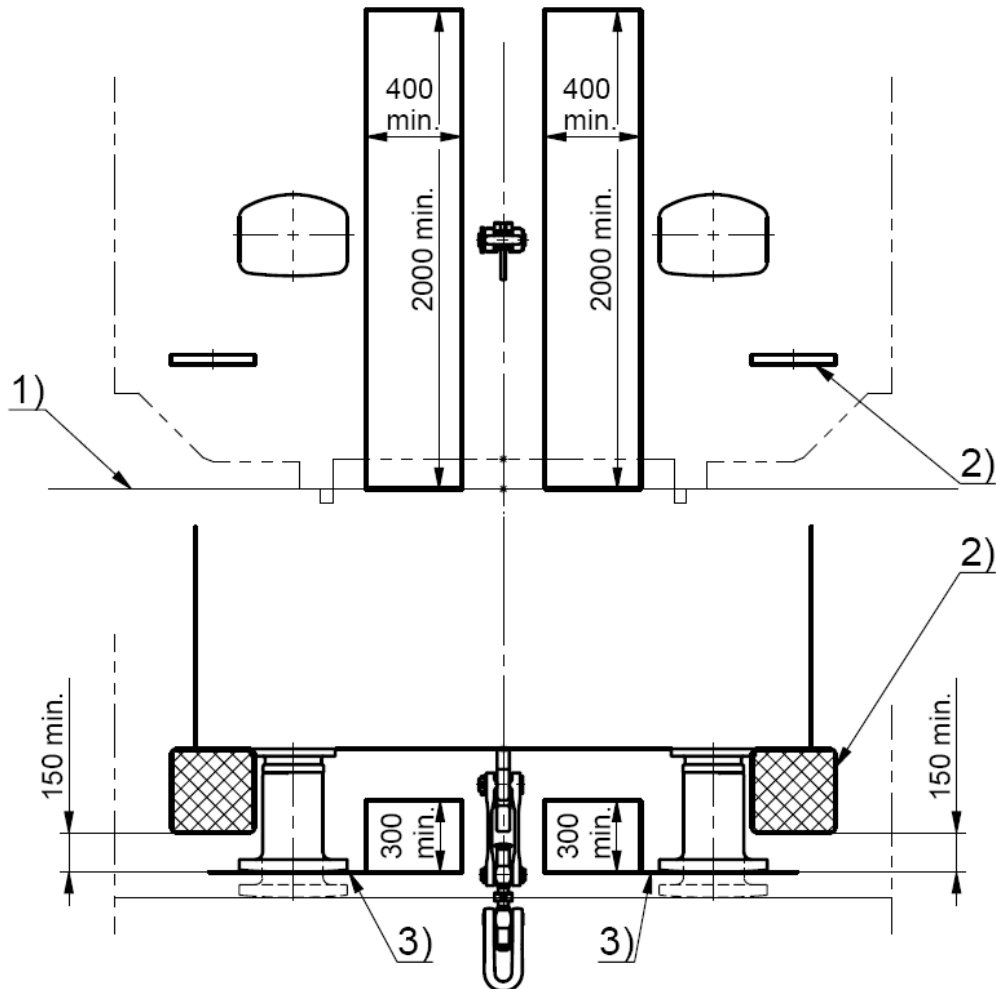


Fig. A5 Berne rectangle

CLEARANCES TO BE PROVIDED AT VEHICLE EXTREMITIES
ESPACES LIBRES A RESERVER AUX EXTREMITES DES VEHICULES
FREIZUHALTENDE RÄUME AN DEN WAGENENDEN



OTIF UTP

Corresponding text in EC regulations ¹

EC
ref. ²

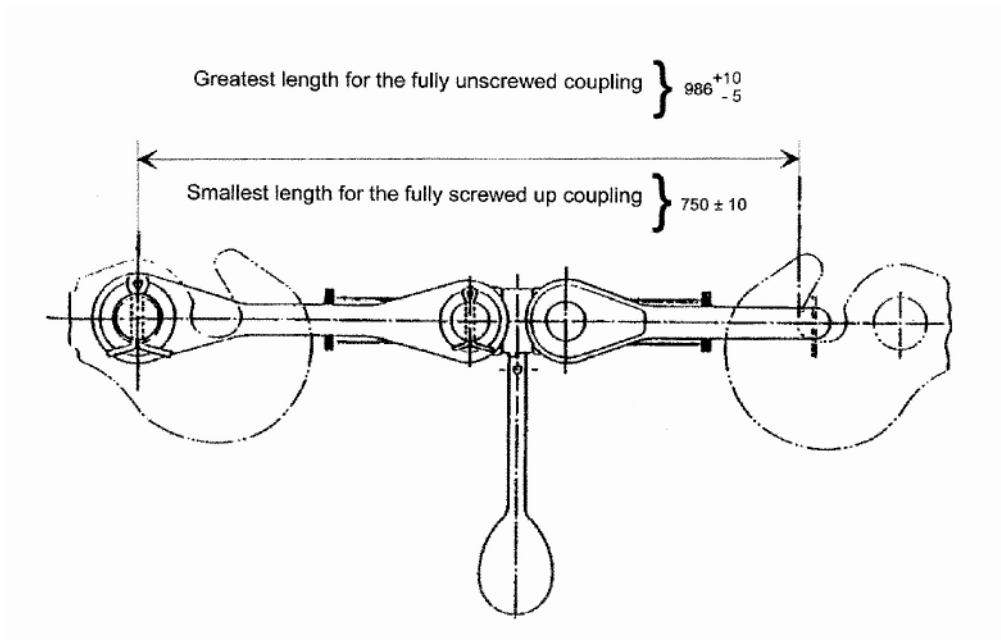


Fig. A6 Screw coupler and draw hooks

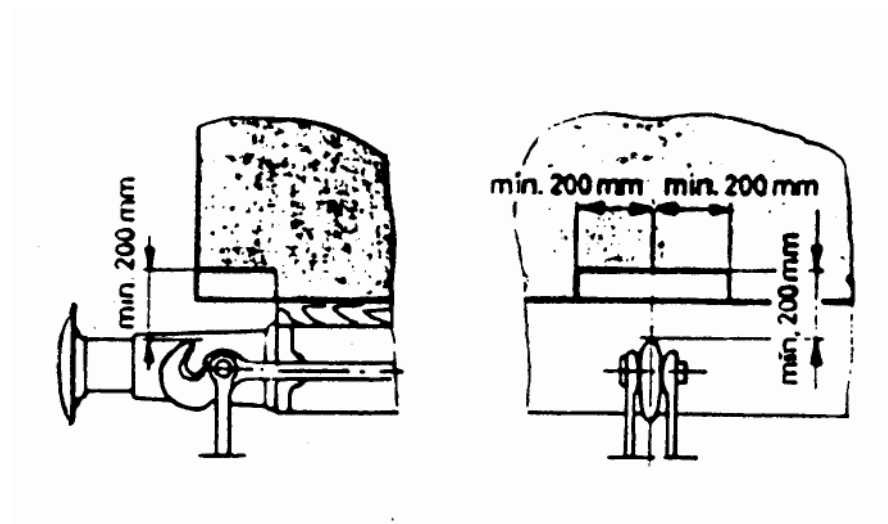


Fig. A7 Clearance to be provided at wagon extremities above the draw hook